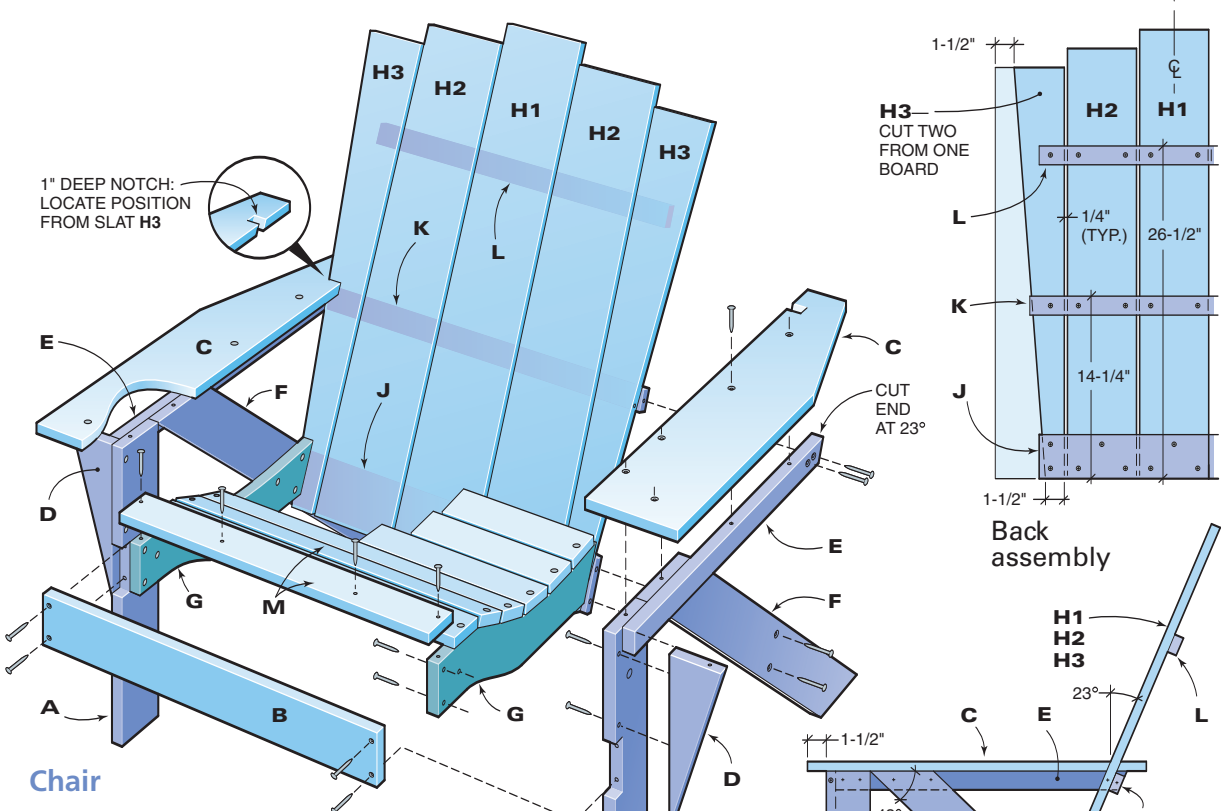
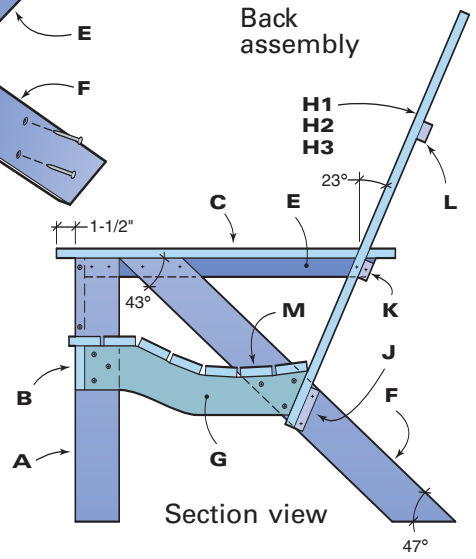


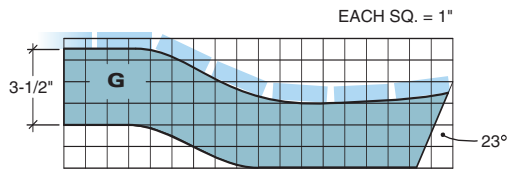
1" DEEP NOTCH:  
LOCATE POSITION  
FROM SLAT H3



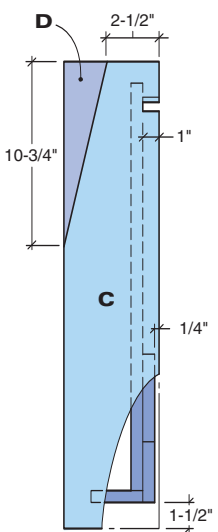
Back assembly



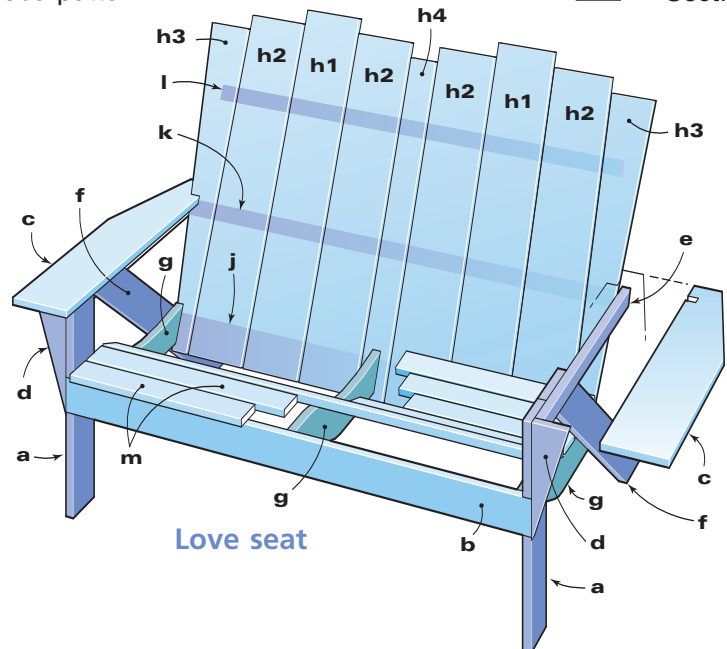
Section view



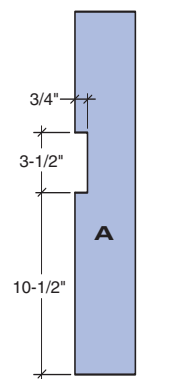
Seat brace pattern



Arm pattern



Love seat



Leg pattern