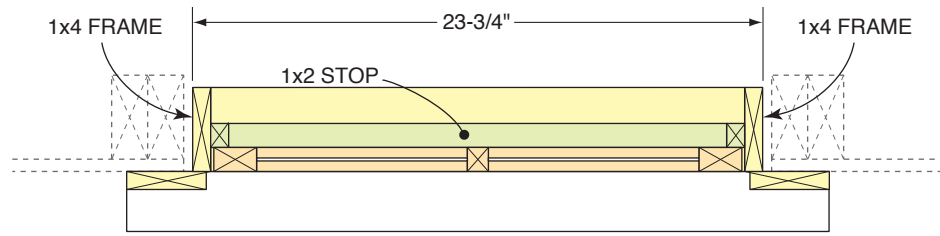
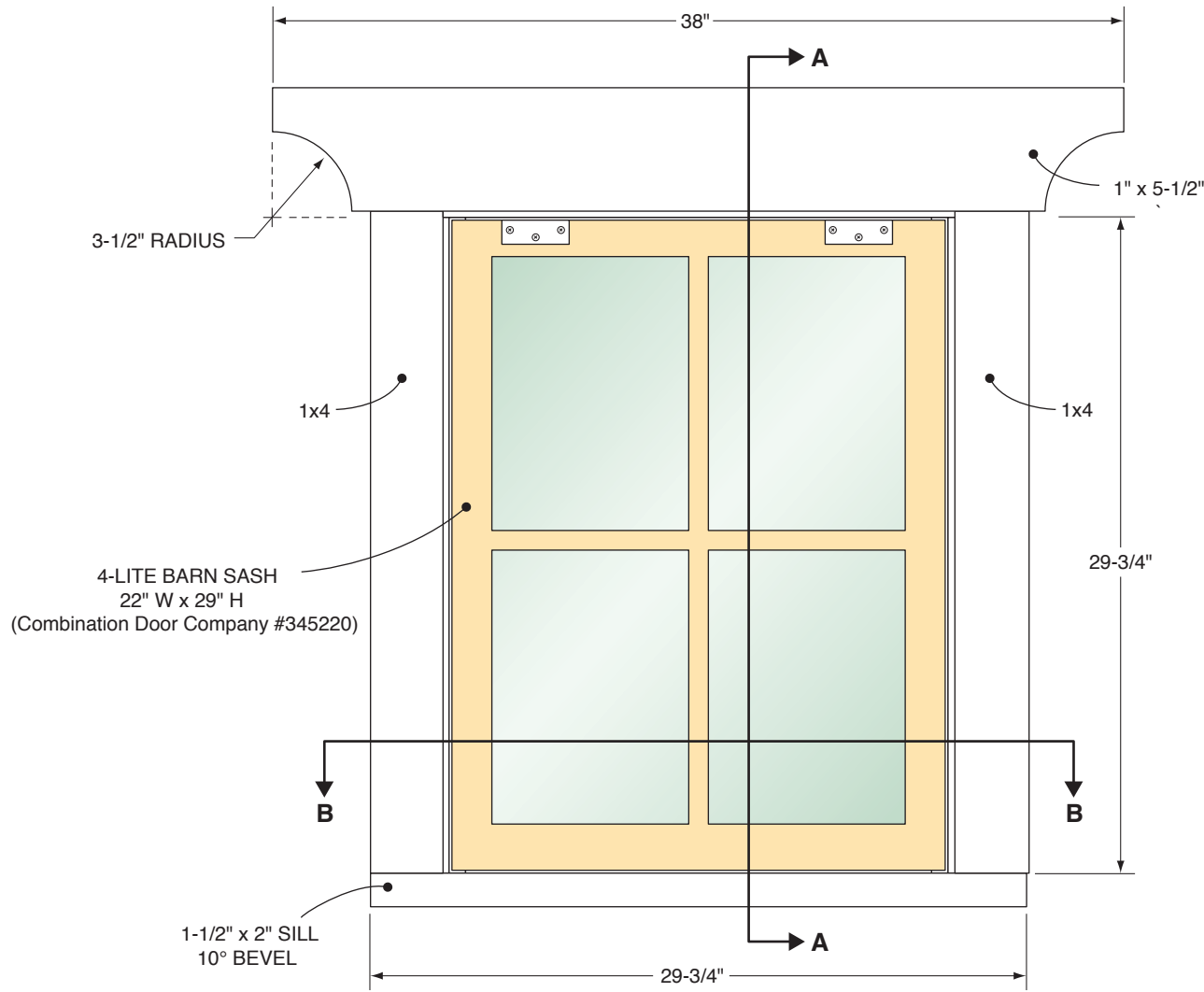
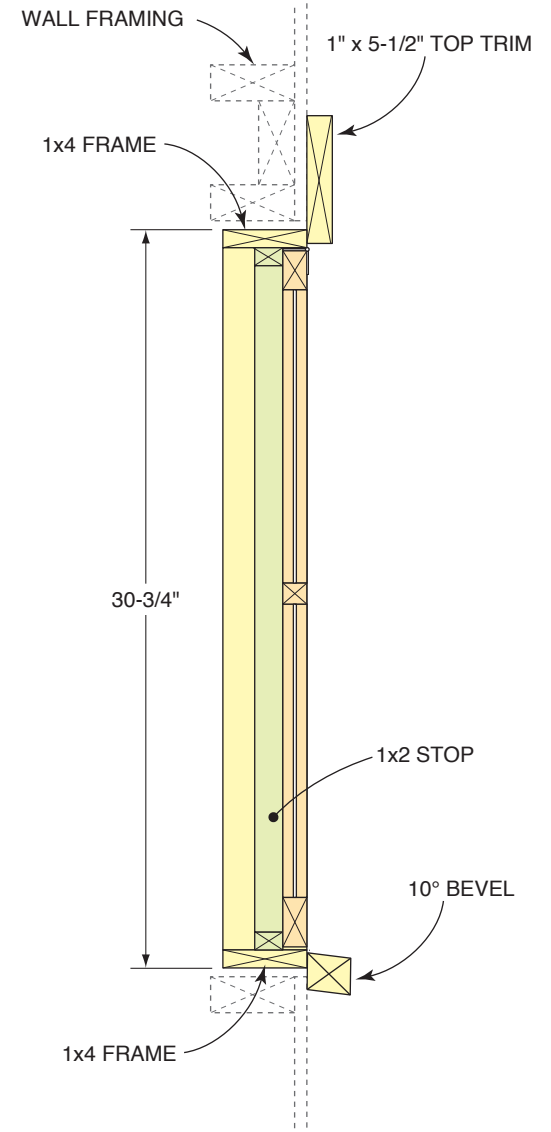


**Figure M**  
**Site-Built Window**



**SECTION B-B**



**SECTION A-A**