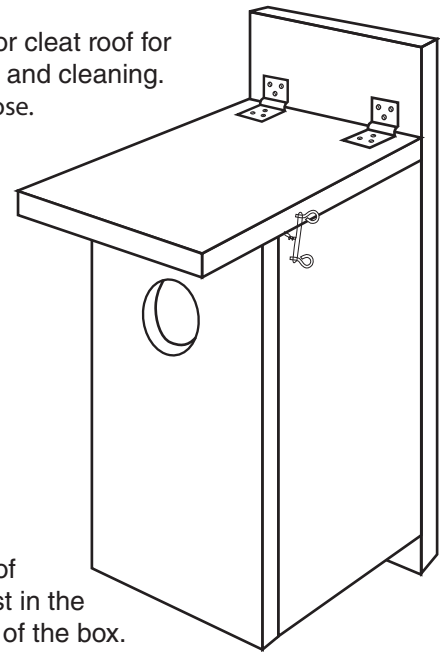


**Completed Box**

Hinge or cleat roof for access and cleaning.  
Wire close.



Put 3" of sawdust in the bottom of the box.

Lumber: 1" x 10" x 8'

